

# TOTO LINK

The Smartest Network Device

[www.totolink.net](http://www.totolink.net)



1300Mbps High Speed



2.4G+5G Dual Band



USB3.0 Interface



Omni-directional Antenna



WPS Button



*USB3.0 Version*

## ➤ Overview

# AX1800 Dual Band Wireless USB Card

Model No. **X6100UA**

X6100UA is a dual band wireless USB card which adopts the latest Wi-Fi 6(IEEE802.11ax) standard. The very latest Wi-Fi 6 standard guarantees extreme speed, ultra-low latency, and uninterrupted connectivity. Supporting OFDMA and MU-MIMO technology, X6100UA can connect more devices to speed up the network and fully optimize your gaming experience, which makes it an ideal wireless card for your computers. Meanwhile, with an external omni-directional antenna, it greatly improves the wireless reception sensitivity and the Wi-Fi performance. Generally, it is a good choice for your computer and drives your PC to peak performance.



## ➤ Features

- Comply with IEEE 802.11a/b/g/n/ac/ax standards.
- Up to total 1774.5Mbps wireless speed on simultaneous 2.4GHz(573.5Mbps) and 5GHz(1201Mbps)
- USB3.0 enables super-fast data transmission, up to 10x faster transfer speeds than USB 2.0.
- External omni-directional antenna improves the wireless reception sensitivity.
- Built-in FEM (PA + LNA) module, creates stronger signal and wider signal receiving range.
- 1024-QAM high data rate Modulation delivers powerful, continuous Wi-Fi to fully unlock the potential of Wi-Fi 6 router.
- TWT (Target Wake Time) technology reduces your devices' power consumption to extend their battery life.
- Support 64/128-bit WEP, WPA, WPA2, WPA3, WPA-PSK, WPA2-PSK encryption standards.
- Supports WPS (Wi-Fi Protected Setup) with one-click button.
- Support easy setup, a friendly user interface on a CD for simple installation.
- Support WPS, build secured wireless connection with WPS button.
- Supports Windows 10 (32/64bits), Win8/8.1 (32/64bits), Windows 7 (32/64bits).

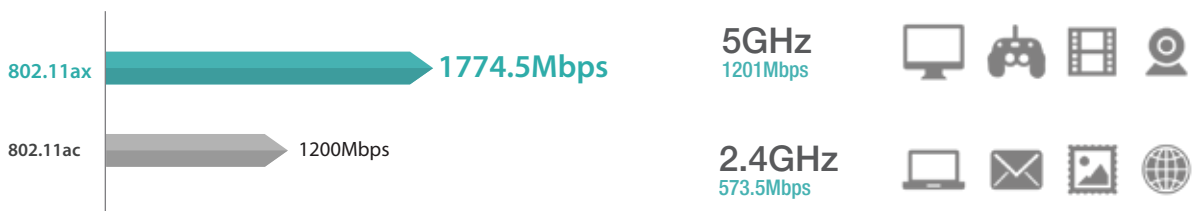


# Selling point

## ➤ 1774.5Mbps Ultra-Fast Wi-Fi Speed

X6100UA complies with the latest Wi-Fi 6 (IEEE802.11ax) standard, delivers Wi-Fi speeds of up to 1201Mbps on the 5GHz band and 573.5Mbps on the 2.4GHz band. Every application feels more fluid with drastically improved Wi-Fi speeds.

Both 2.4 GHz band and 5 GHz band get upgraded to the latest generation—perfect for 4K streaming, online gaming, and fast downloading.



## ➤ External Omni-directional Antenna, Greater Wi-Fi Coverage

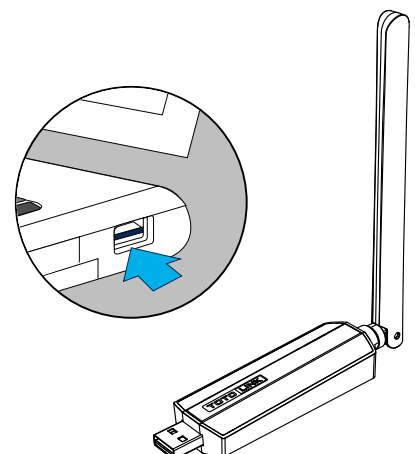
Equipped with external omni-directional antennas, X6100UA offers a higher wireless performance and expands wireless signal to a wider coverage.

## ➤ WPS Button

Secured wireless connection can be established with only one push on the WPS button, no need to input the tedious passwords anymore.

## ➤ Super Speed USB 3.0 Port

Providing blazing-fast data transfers of up to 4.8Gbps with USB3.0 port — the latest USB connectivity standard. USB3.0 transfers data up to 10x faster than USB2.0 and is also backwards compatible with USB2.0. Combined with 802.11ax Wi-Fi, USB3.0 makes X6100UA ideal for HD streaming, online gaming and large file downloads.



# Specification

## Hardware

Interface/Button	- 1*USB3.0
LED Indicator	- 1*WPS
Antenna	- 1*Wireless (ACT) Blue
	- 1* external dual band antenna
	- 1* internal dual band antenna
Dimensions(L x W x H)	- 100 x 30 x 18mm(USB case)+130 x 15 x 16mm(antenna)

## Wireless

Standards	- IEEE 802.11 ax,
RF Frequency	- IEEE 802.11 ac,
Data Rate	- IEEE 802.11n,
	- IEEE 802.11g,
Wireless Security	- IEEE 802.11b,
	- IEEE 802.11a
	- 2.4GHz/5GHz
	- 5 GHz: Up to 1201 Mbps
	- 2.4 GHz: Up to 573.5 Mbps
	- 64/128-bit WEP, WPA/WPA2, WPA-PSK/WPA2-PSK (TKIP/AES), WPA3

## Others

Package Contents	- X6100UA USB Wireless Card*1
	- Quick Installation Guide *1
	- CD *1
System Requirement	- Supports Windows 10 (32/64bits), Win8/8.1 (32/64bits), Windows 7 (32/64bits).
Environment	- Operating Temperature: 0℃~50℃ (32℉~122℉)
	- Storage Temperature: -40℃~70℃ (-40℉~158℉)
	- Operating Humidity: 5%~90% non-condensing
	- Storage Humidity: 5%~90% non-condensing

## ZIONCOM ( HK ) TECHNOLOGY LIMITED

Copyright ©ZIONCOM (HK) TECHNOLOGY CO., LTD. All Rights Reserved.

### Headquarter & R&D Center

7/F, Unit D, 4 Building Shenzhen Software Industry Base, Xuefu Road,  
Nanshan District, Shenzhen, Guangdong, China

Tel : +86-755-6136-3288 (Ext.867) | FAX : +86-755-6136-3344

### Factory

Building A1 & A2 Lantian Technology Park, Xinyu Road, Xinqiao Henggang Block,  
Shajing Street, Baoan District, Shenzhen, Guangdong, China

Direct Line : +86-755-3686-1188(Ext. 5810) | FAX : +86-755-3686-1133

# X6100UA

AX1800  
Dual Band Wireless USB Card