

UltraHorn™ CC

ULTIMATE NOISE-REJECTING DIRECTIONAL
HORN ANTENNA WITH CARRIER CLASS PERFORMANCE

UH-CC-5-24



UltraHorn™ CC

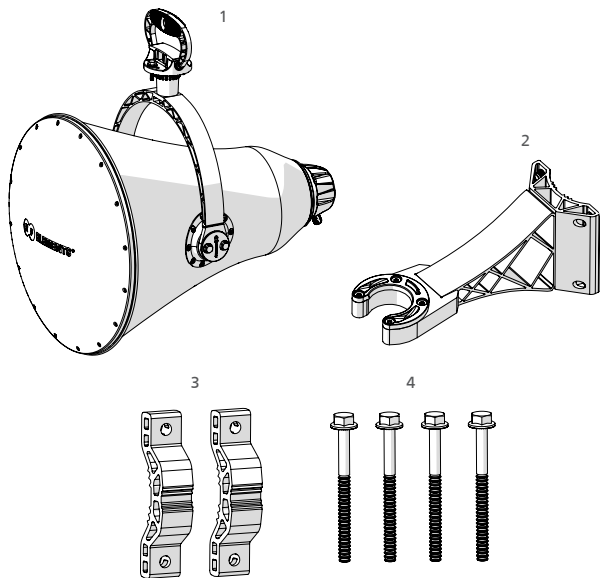
Overview

	Product ID	Dimensions	Weight*	Gain	Polarization
UltraHorn™ CC 5-24	UH-CC-5-24	635 x 572 x 615 mm	8.7 kg 19.1 lbs	24 dBi	Dual Linear H + V

*Estimation based on pre-production units. Subject to change.

UltraHorn™ CC

Package Contents



Number	Description	Quantity
1	UltraHorn™ CC Body	1x
2	UltraHorn™ CC Bracket Arm	1x
3	UltraHorn™ CC Bracket	2x
4	M8 x 90mm Screw	4x

RF elements®, TwistPort™, SIMPER™ and UltraHorn™
are trademarks of RF elements s.r.o., Humenne, Slovakia.

All rights of trademark owners reserved.

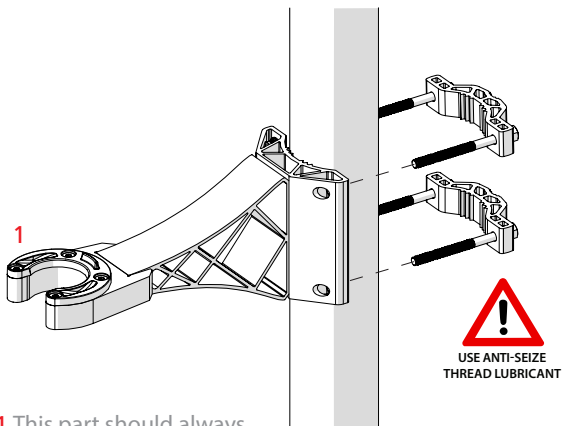


RF elements s.r.o.
Phone: +421 2 3260 3711
info@rfelements.com
www.rfelements.com

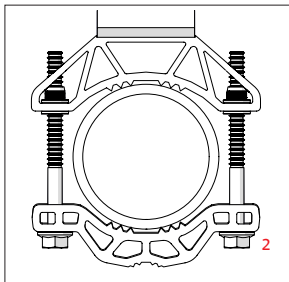
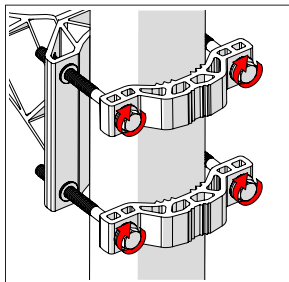
UltraHorn™ CC

Step 1

Installation Guide



1 This part should always be installed facing up.

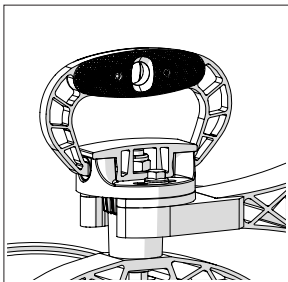
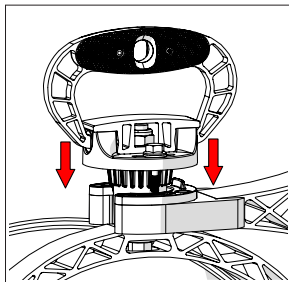
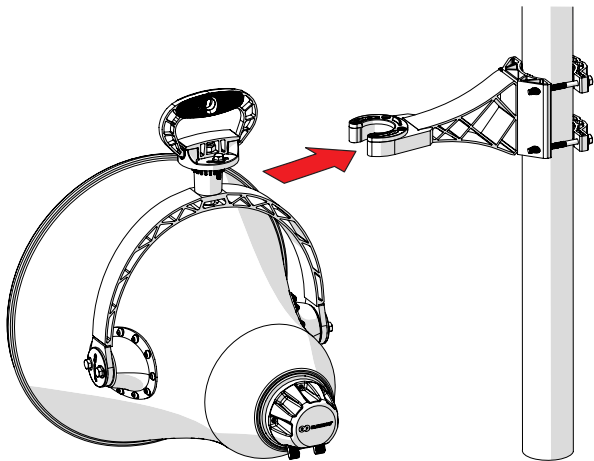


2 Tighten all screw equally.

UltraHorn™ CC

Step 2

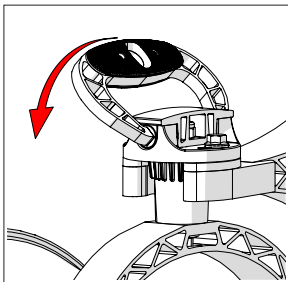
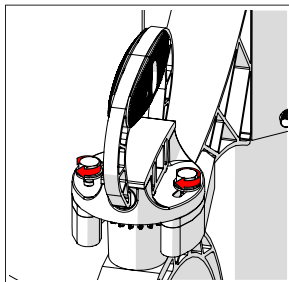
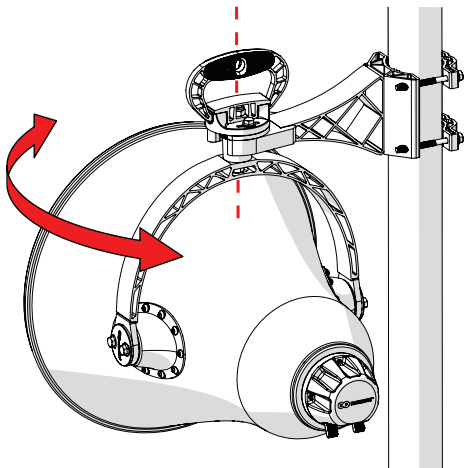
Installation Guide



UltraHorn™ CC

Step 3

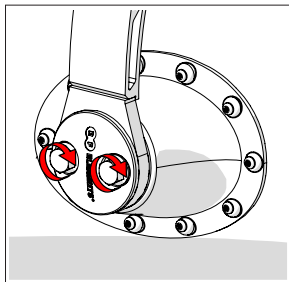
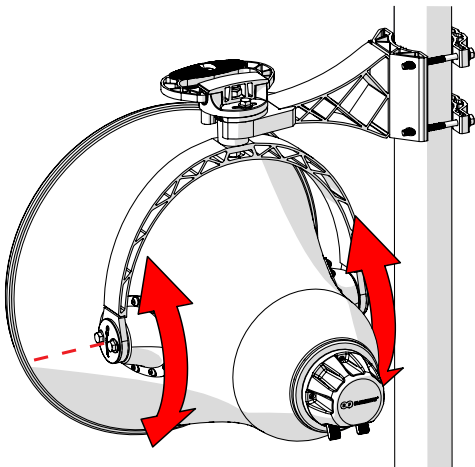
Installation Guide



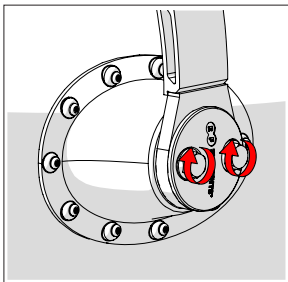
UltraHorn™ CC

Step 4

Installation Guide



Left side



Right side